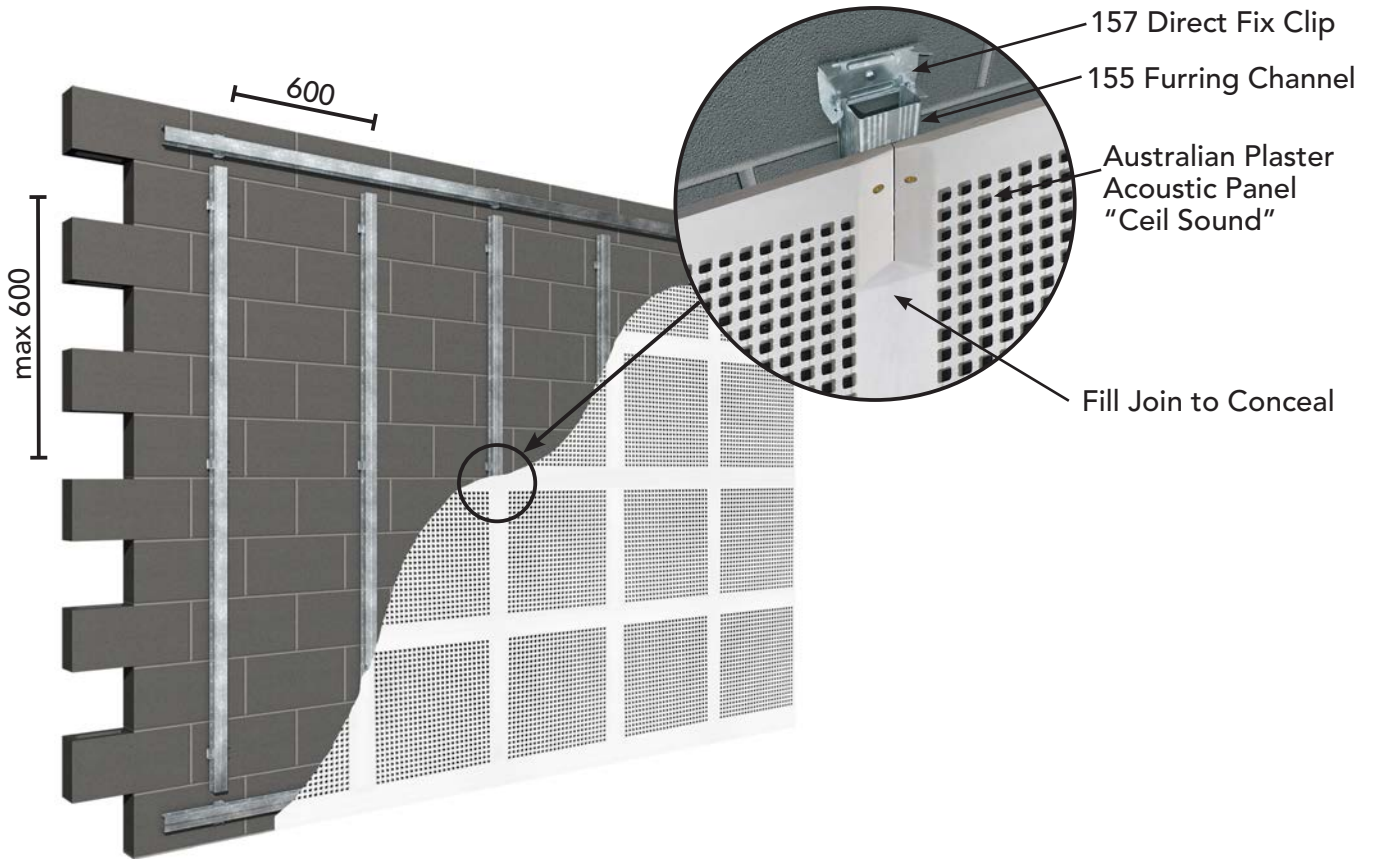
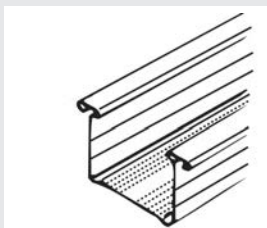


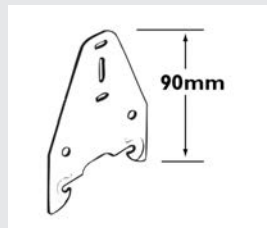
## Acoustic Panel Wall Installation Using Rondo Internal Express Joint Wall



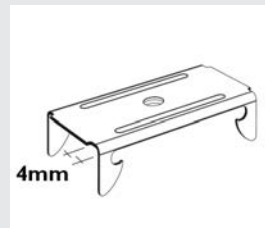
### Typical Wall Installation with RONDO KEY-LOCK® Components



155 Furring Channel

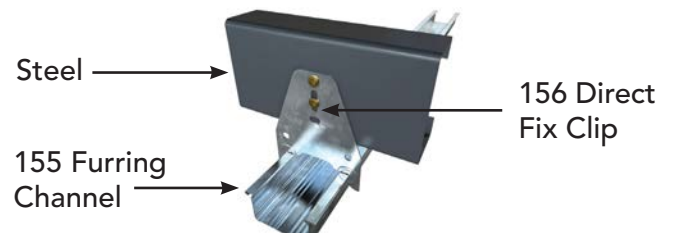
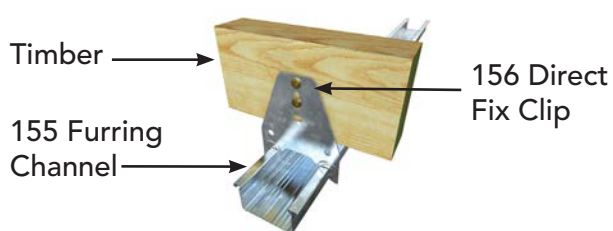


156 Direct Fix Clip

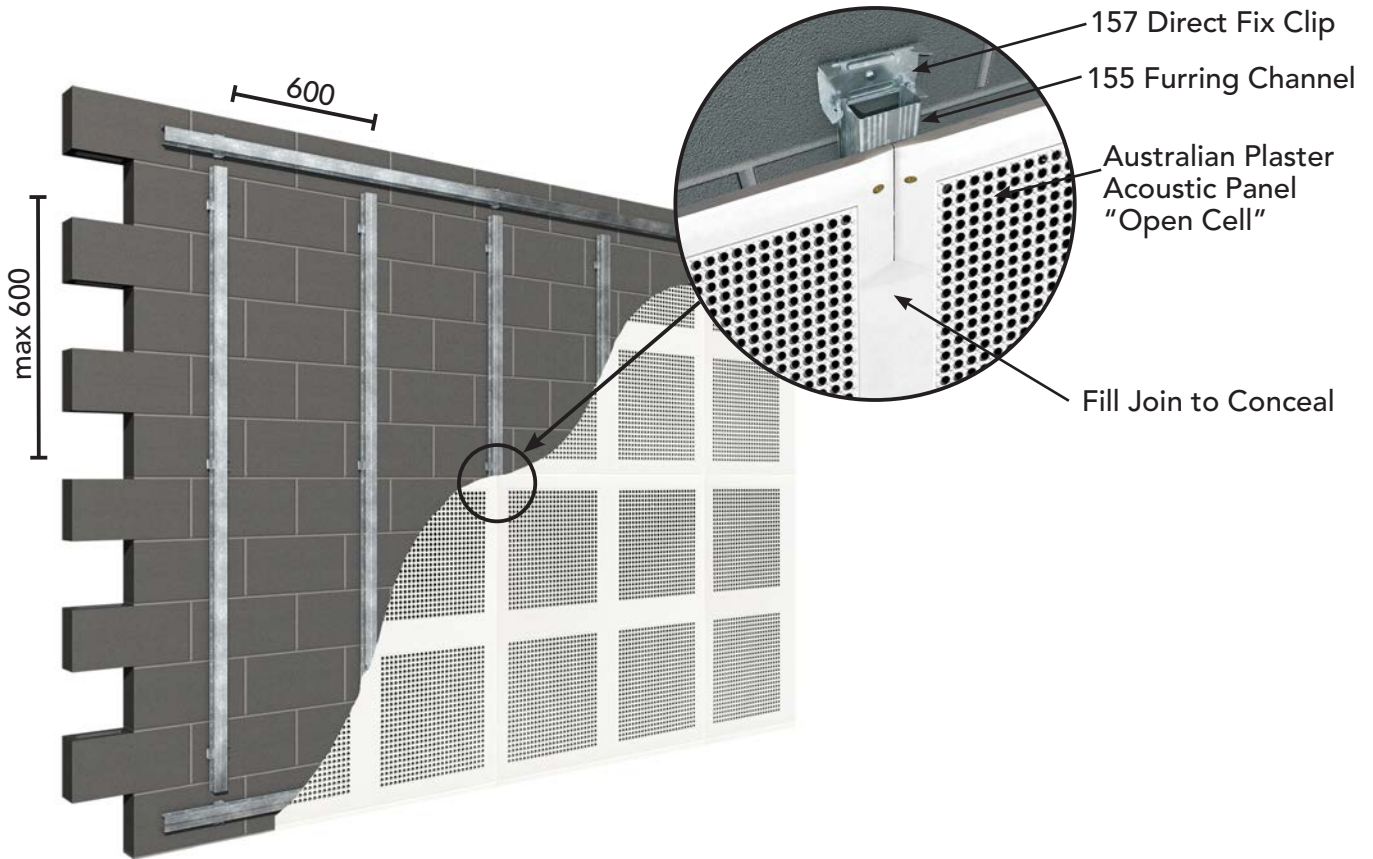


157 Direct Fix Clip

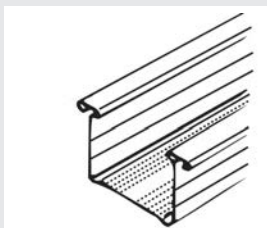
The 156 Direct Fix Clip is able to fix the 155 Furring Channel to steel purlins or timber joists in ceiling applications as well as to steel girts or timber stud work in walls.



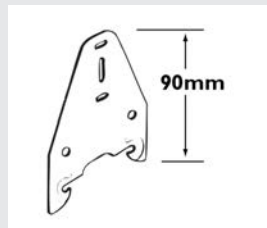
## Acoustic Panel Wall Installation Using Rondo Internal Express Joint Wall



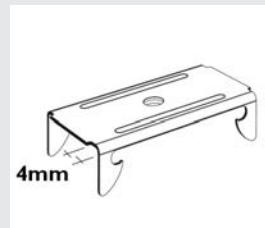
### Typical Wall Installation with RONDO KEY-LOCK® Components



155 Furring Channel

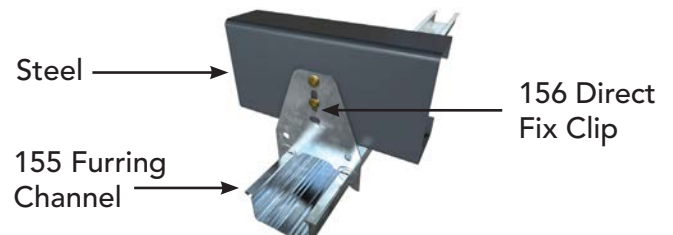
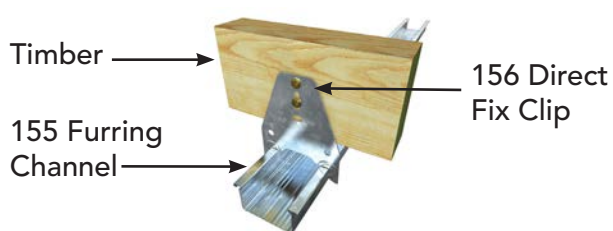


156 Direct Fix Clip

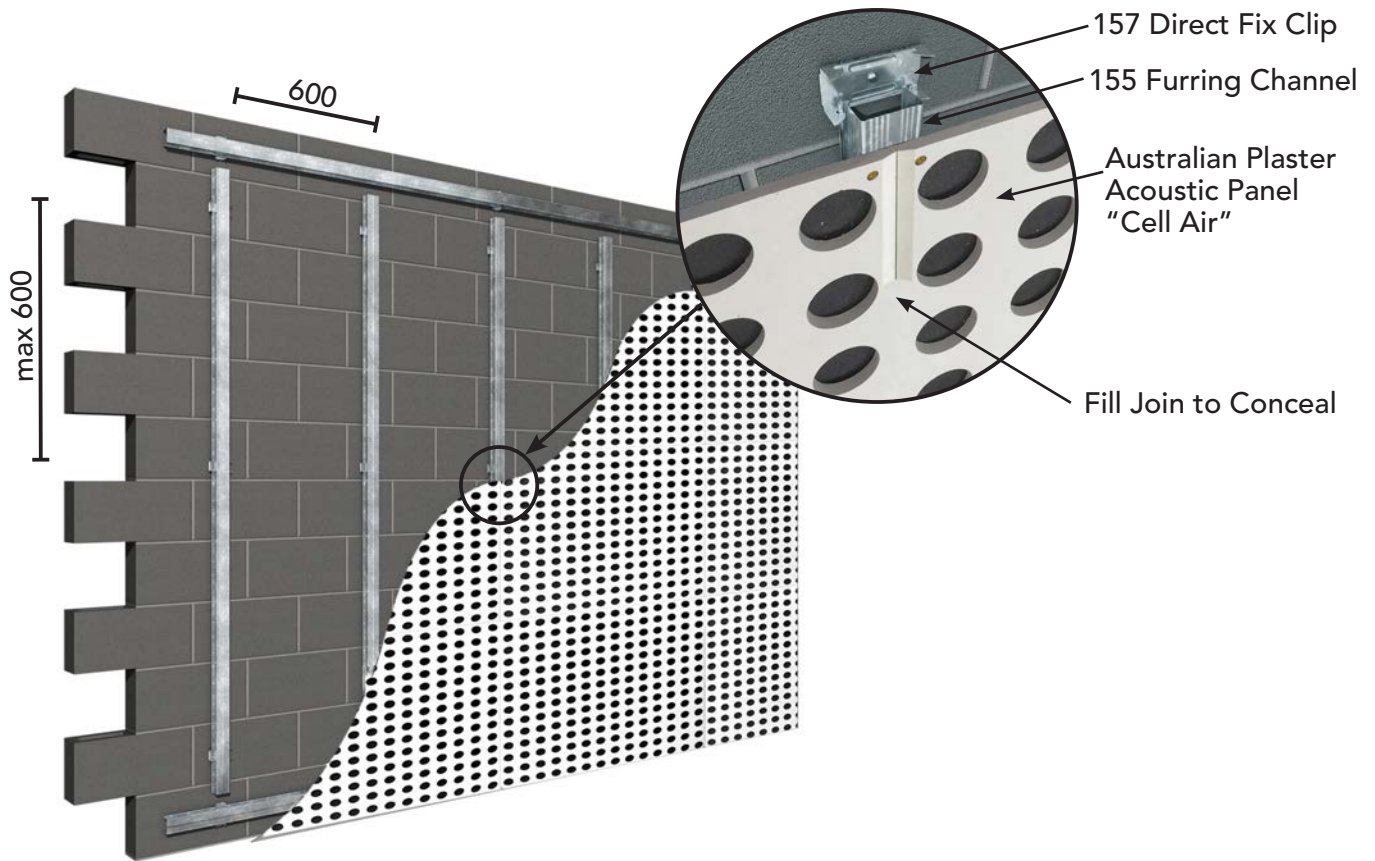


157 Direct Fix Clip

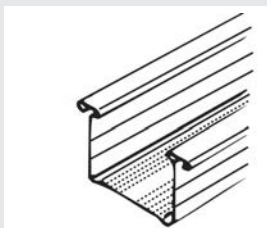
The 156 Direct Fix Clip is able to fix the 155 Furring Channel to steel purlins or timber joists in ceiling applications as well as to steel girts or timber stud work in walls.



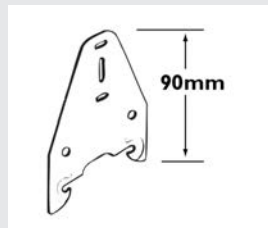
## Acoustic Panel Wall Installation Using Rondo Internal Express Joint Wall



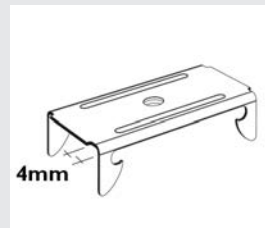
### Typical Wall Installation with RONDO KEY-LOCK® Components



155 Furring Channel

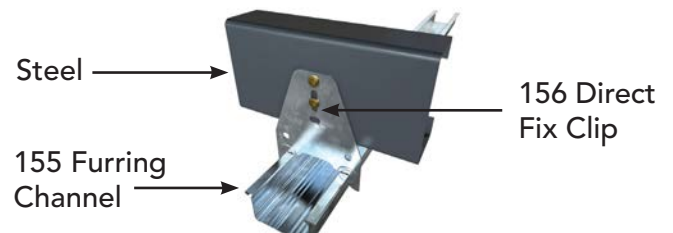
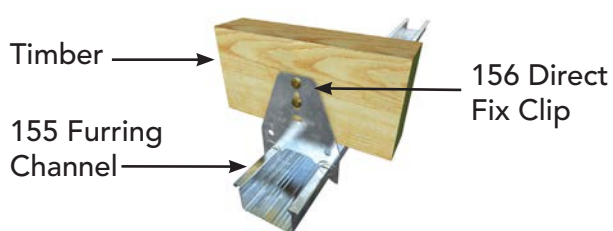


156 Direct Fix Clip



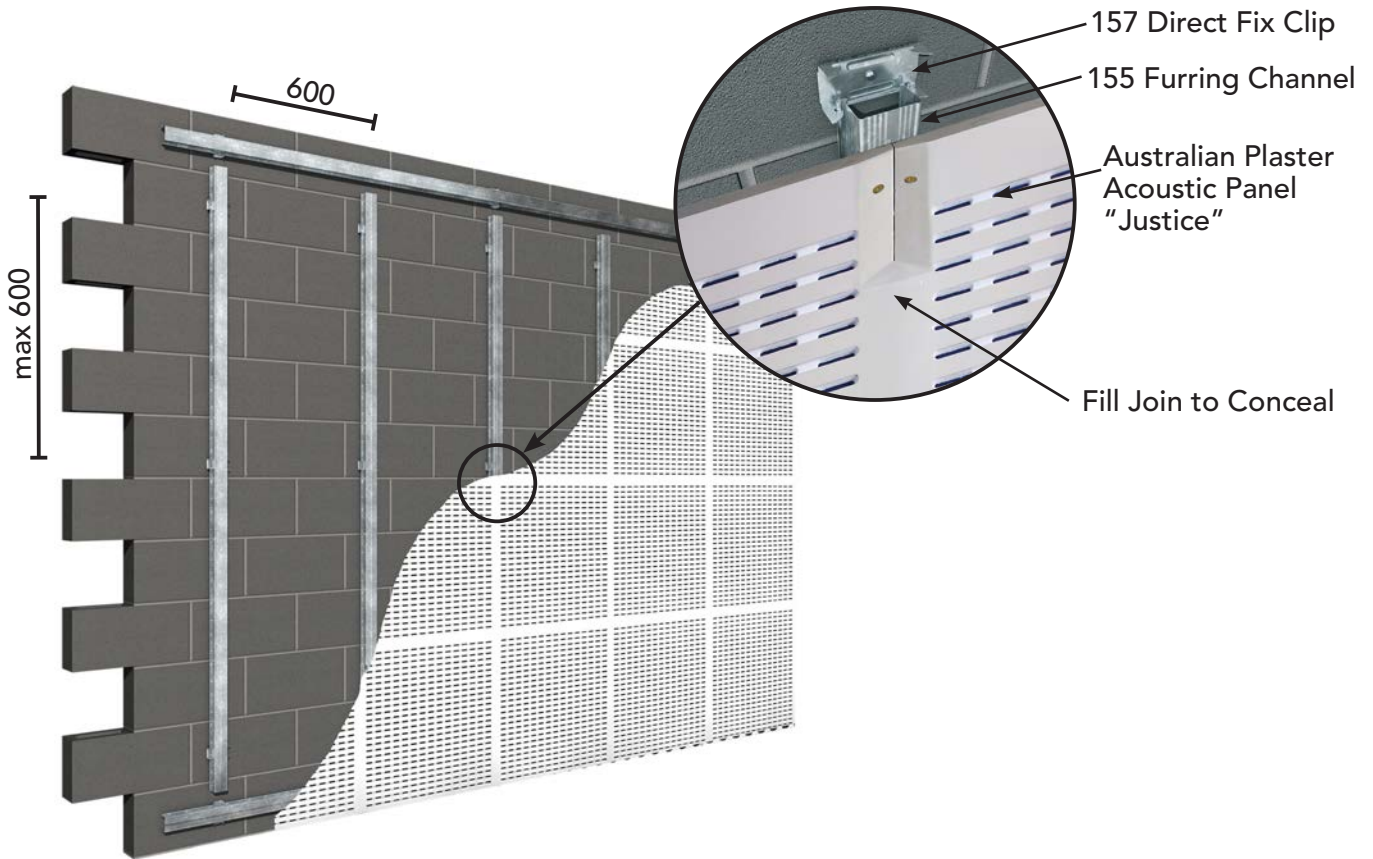
157 Direct Fix Clip

The 156 Direct Fix Clip is able to fix the 155 Furring Channel to steel purlins or timber joists in ceiling applications as well as to steel girts or timber stud work in walls.

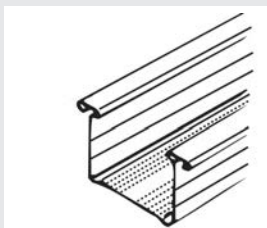




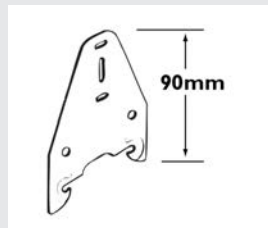
## Acoustic Panel Wall Installation Using Rondo Internal Express Joint Wall



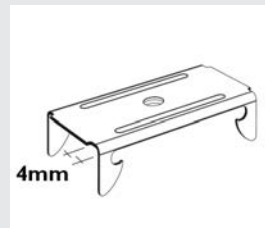
### Typical Wall Installation with RONDO KEY-LOCK® Components



155 Furring Channel



156 Direct Fix Clip



157 Direct Fix Clip

The 156 Direct Fix Clip is able to fix the 155 Furring Channel to steel purlins or timber joists in ceiling applications as well as to steel girts or timber stud work in walls.

